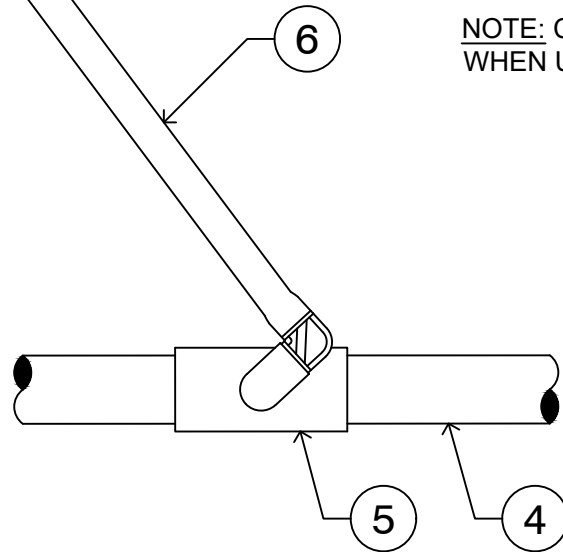


LEGEND

- ① HUNTER POP-UP BODY
PROS-06-SI: NOZZLE AND CAP
PER PLAN
- ② FINISHED GRADE
- ③ ADJACENT LANDSCAPE
- ④ LATERAL PIPE PER PLAN
- ⑤ LATERAL FITTING PER PLAN
- ⑥ HUNTER SWING JOINT (PER
PLAN)

NOTE: CHECK VALVE INOPERABLE
WHEN USING SIDE INLET



**POP-UP BODY (PROS-06-SI)
WITH HUNTER SWING JOINT**

00

N.T.S.